



# SPECIALIST MOBILITY VEHICLE

## SMV 1200

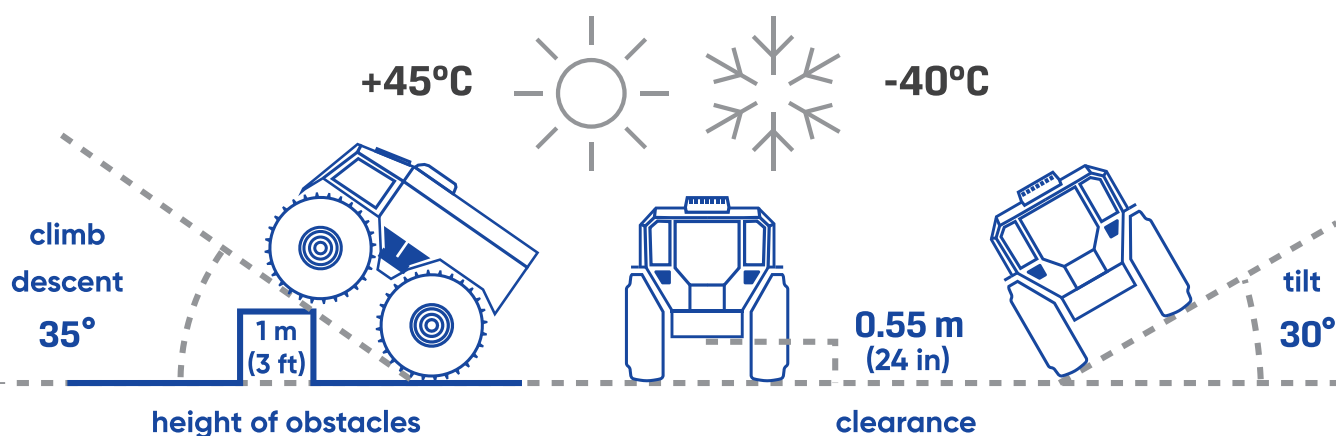


## Specialist Mobility Vehicle

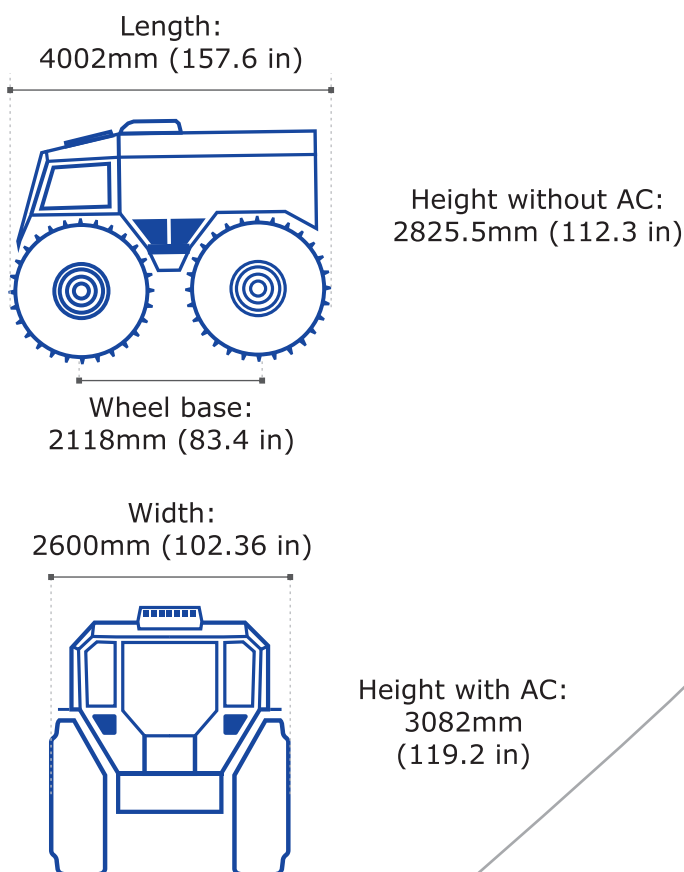
The SMV 1200 is an all-terrain amphibious vehicle characterized by its exceptional mobility. It is engineered to function effectively in challenging environments across various types of terrain. This vehicle is capable of surmounting significant obstacles and can also swim in water.



### Service Temperature



### Overall Dimensions



### Max. Speed



#### GROUND

**40 Km/H**

dense forest, fallen trees, shaky ground, gravel, sand, peatbog, moor, marsh, dunes, rocks, swamps, boulders, scree, snow, ice



#### WATER

**5 Km/H**

ponds, lakes, rivers, sandbank, shelves, shores, coasts, climbing from water

### Fuel Autonomy

**95-327 L from 5 lph**

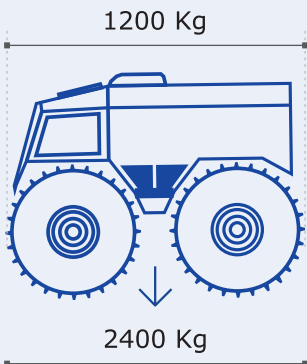
Fuel tank volume of 95 L plus 4 wheel fuel canisters 58 L of each canister gives you possibility to drive more than 65 hours of autonomy and 19 hr non-stop running just with main fuel tank



**DIESEL**

# SMV 1200

## SMV Hard Top



The driver  
+ up to  
8 passengers



## Base Model Includes:

- Autonomus Heater
- Back up Battery
- LED High & Low Beam
- Under Floor Storage Boxes
- Rear Compartment ROPS
- Rear View Camera
- Towing Hitch Integrated in Front & Rear Bumpers
- Integrated Front & Rear Door Ladder
- Foldable Rear Seats 7 with 3 Point Seat Belts
- Side windows 2
- Side Mirrors 2
- Air Condition
- Preparation for Winch set
- Additional Fuel Tank ineach rim
- Front Cabin
- Parking Brake
- 3 Point Seat Belt for Driver &Passenger
- Glove Box & Cup Holders
- Interior Fabric Cover

## Additional Options

- Rear Seats 2 with Seat Belts
- Rear Seats 4 with Seat Belts
- Winch Set Capacity 10000Lbs
- Front LED roof light bar
- Locker (2)
- Overhead lockers (4pcs.)
- Set of cargo storage nets
- Side windows 4
- Universal Trailer
- Interior Cover Eco Leather
- Interior Cover Suede Leather
- Spare wheel kit  
(Tire 1800mm, disc, badlock,  
the bolts) (1 each in 1 set )

# SMV 1200

## SPECIFICATIONS & TECHNICAL CHARACTERISTICS

DESCRIPTION	DETAILS	DESCRIPTION	DETAILS
Body type	Hardtop	Cylinder count	3
Body material	Steel (frame and bottom, hot dripped galvanized) and aluminum (cabin)	Max engine power	41 kW (55 hp)
Steering	Skid steering	Max engine torque	190 nm
Tire size	1800x600x25 (72x23x25in)	Generator performance	140 A
Types of tyres	Tubeless, extra-low pressure	Fuel tank volume	95 L
Suspension	Pneumatic circulating-patented	Capacity of additional fuel canisters	4 x 58 L
Maximum speed (at the top-gear)	Up to 40 km/h (25 mph)	Gearbox	Mechanical, 6-speed
Minimum speed (at the low-gear)	2 km/h (1.2 mph)	Towing capacity	2350 kg
Engine model	Hyundai Infracore (Formerly Doosan)	Cabin internal volume	2 cu m
Fuel type	Diesel	Rear space internal volume (Hard Top)	5.8 cu m
Emission control	Tier-4-final	Overall internal volume (Hard Top)	7.8 cu m
Engine doc (Diesel Oxidation Catalyst)	Maintenance free	Maintenance interval	250 hours
Fuel consumption	5 - 8 lph	Parking brake system	Mechanical handbrake
Engine displacement	1.8 L (61 cubic inches)		

JSW Sherp is a versatile vehicle designed for challenging terrains and off-road conditions. Its robust capabilities make it suitable for various industries, including:



Mining



Humanitarian



Search & Rescue



Oil & Gas



Powerlines



Energy



Recreation



Gecomo SMV Private Limited

83, Industrial Area, Phase 1, Chandigarh, Punjab, India 160002

Email : gecomosmv@jsw.in